



### Bahia Curve: general



Bahia Curve L



Bahia Curve S

#### DESCRIPTION




- Humidity-controlled exhaust terminal.
  - Basic constant airflow level or according to the relative humidity.
  - Boost airflow activated on demand: see table opposite.
- Innovative design for seamless integration.
- Versions and accessories that meet all installation needs.
- Pressure range: 80-160 Pa.
- Various models:
  - Bahia Curve L for airflows > 50m<sup>3</sup>/h (kitchen).
  - Bahia Curve S for airflows < 50/h (bath/shower).
  - Bahia Curve S and L for commercial.

#### FIELD OF APPLICATION

- Humidity-controlled CMEV.
- Residential and commercial.
- New and existing buildings.

#### INSTALLATION

#### CONTROL OF BOOST AIRFLOW

PRES	PUSH	PULL CORD
		
Controlled automatically according to room occupancy. Timer-controlled airflow**.	Controlled using a button (ordered separately). If controlled by push button (press) : timer-controlled airflow**. If controlled by ON / OFF switch : not timer-controlled airflow***.	Controlled by pulling the cord. Timer-controlled airflow*.
Powered by battery or via mains supply accessories*.	With push button: powered by battery or via mains supply accessories*. With ON/OFF switch: powered via mains supply accessories*.	No electric power supply

\* Battery: 9V alkaline type 6 LR61 (ordered separately). Or mains power via 9 V DC 230 V AC interface (see electrical accessories).

\*\* Boost airflow for 20 minutes (Bahia Curve S) or 30 minutes (Bahia Curve L) by pressing (except for PRES version: activated after 25 sec).

# Grilles and terminals

## Humidity-controlled terminals



### Bahia Curve S (bath/WC)

**EAC**



#### ADVANTAGES

- Innovative design.
- Easy installation.
- Roll-In seal.
- Simple to clean.
- A single reference for battery-powered or 230 V mains power.

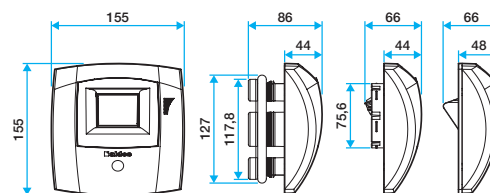
#### DESCRIPTION

- Small-size humidity-controlled terminal for airflow < 50 m<sup>3</sup>/h.
- Boost airflow control.
- Innovative design, no grille.
- Versions and accessories that meet all installation needs.
- Easy to clean: control sub-assembly quick to clip on and unclip.
- Pressure range: 80-160 Pa.

#### FIELD OF APPLICATION

- Humidity-controlled CMEV.
- Residential: bath/shower/WC.
- New and existing buildings.

#### DIMENSIONS (MM)



#### RANGE FOR SINGLE FAMILY HOUSING

Control	Mounting	Designation	Min. airflow m <sup>3</sup> /h	Peak airflow m <sup>3</sup> /h	% HR	References	Discount family
<b>BATHROOM</b>							
-	Ø 80	B21	5-45	-	45/84%	11015024	5
-		B22	10-50	-	31/71%	11015025	5
-		B23	15-50	-	20/55%	11015026	5
<b>BATHROOM WITH WC</b>							
PRES 9V	Ø80	BW21	5-45	30	37/77%	11015144	5
		BW22	15-50	50	21/56%	11015146	5
<b>WC</b>							
PRES 9V	Ø125	W13	5	30	-	11015474	5
	Ø80					11015475	5
	Shaftless					11015488	5
CORD	Ø125					11015472	5
	Ø80					11015473	5
	Shaftless					11015482	5
PUSH 9V	Ø125	11015470	5				
	Ø80	11015471	5				

#### RANGE FOR MULTI-FAMILY HOUSING

Control	Mounting	Designation	Min. airflow m <sup>3</sup> /h	Peak airflow m <sup>3</sup> /h	% HR	References	Discount family
<b>BATHROOM</b>							
-	Ø 125	B31	5- 45	-	45/85%	11015027	5
-		B32	5- 45	-	36/76%	11015029	5
-		B33	10 - 50	-	30/70%	11015031	5
-	Shaftless	B31	5- 45	-	45/85%	11015028	5
-		B32	5- 45	-	36/76%	11015030	5
-		B33	10 - 50	-	30/70%	11015032	5
<b>BATHROOM WITH WC</b>							
PRES 9V	Ø125	BW31	5- 45	30	45/85%	11015149	5
		BW32	10 - 50	30	28/68%	11015152	5
		BW33	15 - 50	50	31/66%	11015155	5
CORD		BW31	5- 45	30	45/85%	11015148	5
		BW32	10 - 50	30	28/68%	11015151	5
		BW33	15 - 50	50	31/66%	11015154	5
<b>WC</b>							
PRES 9V	Ø125	W13	5	30	-	11015474	5
	Ø80					11015475	5
	Shaftless					11015488	5
PUSH 9V	Ø125					11015470	5
	Ø80					11015471	5
	Shaftless					11015482	5
CORD	Ø125	11015472	5				
	Ø80	11015473	5				
	Shaftless	11015482	5				

# Grilles and terminals

## Humidity-controlled terminals



### Bahia Curve L (kitchen)



#### ADVANTAGES

- Innovative design.
- Easy installation.
- Roll-In seal.
- Simple to clean.
- A single reference for battery-powered or 230 V mains power.

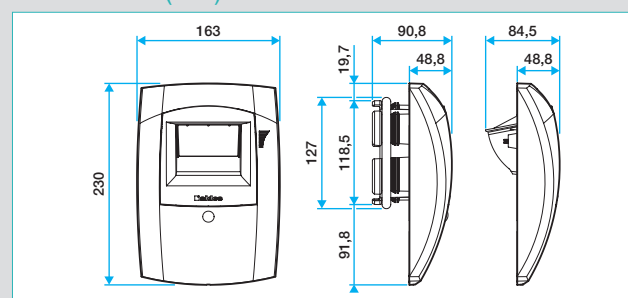
#### DESCRIPTION

- Large-size humidity-controlled terminal (airflow > 50 m<sup>3</sup>/h).
- Boost airflow control.
- Innovative design, no grille.
- Versions and accessories that meet all installation needs.
- Easy to clean: control sub-assembly quick to clip on and unclip.
- Infra-Red version with remote control for a practical, modern design and simple installation without push button control.
- Pressure range: 80-160 Pa.

#### FIELD OF APPLICATION

- Humidity-controlled CMEV.
- Residential: kitchens.
- New and existing buildings.

#### DIMENSIONS (MM)



#### RANGE FOR SINGLE FAMILY HOUSING

Control	Mounting	Designation	Min. airflow m <sup>3</sup> /h	Peak airflow m <sup>3</sup> /h	% HR	References	Discount family
<b>KITCHEN</b>							
CORD	Ø125	C21	15-55	135	23/63%	11015066	<b>5</b>
PUSH 9V	Ø125					11015068	<b>5</b>
	Shaftless					11015069	<b>5</b>
CORD	Ø125	C32	10/50	90	50/90%	11015074	<b>5</b>
PUSH 9V	Ø125					11015076	<b>5</b>
	Shaftless					11015077	<b>5</b>
CORD	Ø125	C36	10/50	90	35/75%	11015090	<b>5</b>
PUSH 9V	Ø125					11015092	<b>5</b>
CORD	Shaftless					11015093	<b>5</b>

#### RANGE FOR MULTI-FAMILY HOUSING

Control	Mounting	Designation	Min. airflow m <sup>3</sup> /h	Peak airflow m <sup>3</sup> /h	% HR	References	Discount family
<b>KITCHEN</b>							
PUSH 9V	Ø125	C31	10/50	75	50/90%	11015072	<b>5</b>
		C32	10/50	90	50/90%	11015076	<b>5</b>
		C33	10/50	105	42/82%	11015080	<b>5</b>
		C34	10/50	120	41/81%	11015084	<b>5</b>
		C35	15-55	135	45/85%	11015088	<b>5</b>
		C36	10/50	90	35/75%	11015092	<b>5</b>
		C21	15 - 55	135	23/63%	11015068	<b>5</b>
CORD	Ø125	C31	10/50	75	50/90%	11015070	<b>5</b>
		C32	10/50	90	50/90%	11015074	<b>5</b>
		C33	10/50	105	42/82%	11015078	<b>5</b>
		C34	10/50	120	41/81%	11015082	<b>5</b>
		C35	15-55	135	45/85%	11015086	<b>5</b>
		C36	10/50	90	35/75%	11015090	<b>5</b>
		C21	15 -55	135	23/63%	11015066	<b>5</b>
	Shaftless	C31	10/50	75	50/90%	11015073	<b>5</b>
		C32	10/50	90	50/90%	11015077	<b>5</b>
		C33	10/50	105	42/82%	11015081	<b>5</b>
		C34	10/50	120	41/81%	11015085	<b>5</b>
		C35	15-55	135	45/85%	11015089	<b>5</b>
		C36	10/50	90	35/75%	11015093	<b>5</b>
		C21	15 - 55	135	23/63%	11015069	<b>5</b>

# Grilles and terminals

## Humidity-controlled terminals



### Bahia Curve Commercial (bath/WC)



#### ADVANTAGES

- Innovative design.
- Easy installation.
- Simple to clean.

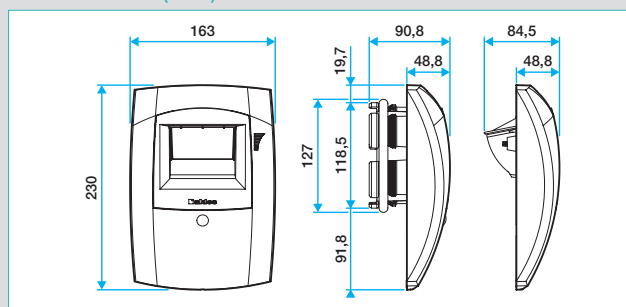
#### DESCRIPTION

- Humidity-controlled terminal.
- Innovative design, no grille.
- Versions and accessories that meet all installation needs.
- Easy to clean: control sub-assembly quick to clip on and unclip.
- Pressure range: 80-160 Pa.

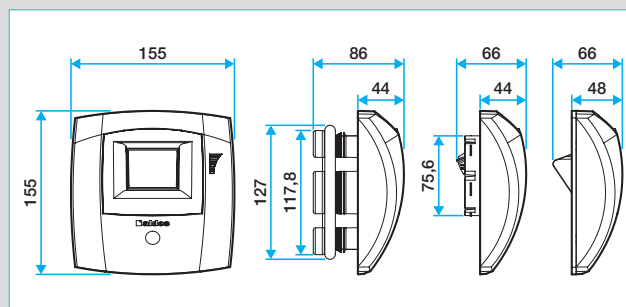
#### FIELD OF APPLICATION

- Humidity-controlled CMEV.
- Hotels.
- New and existing buildings.

#### DIMENSIONS (MM)



C6 and C7 Bahia Curve L



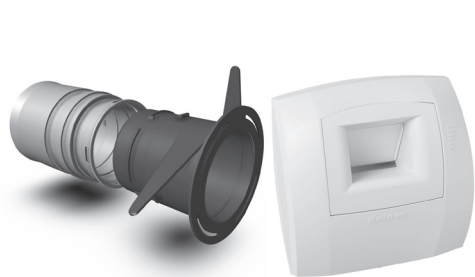
C5 Bahia Curve S

#### RANGE

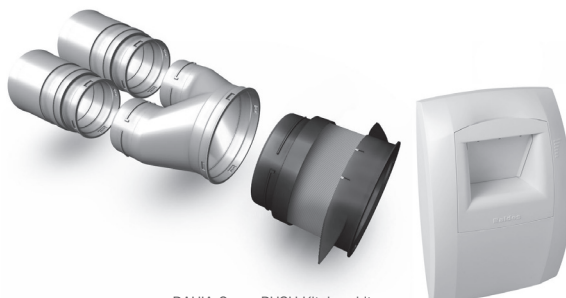
	Mounting	Designation	Min. airflow m3/h	% HR	References	Discount family
<b>Commercial: Bath/Shower</b>						
-	Ø 125	C5 Bahia Curve S	15-40	26 -51 %	11017393	<b>05</b>
-	Ø 125	C6 Bahia Curve L	15-56	25 -45 %	11017394	<b>05</b>
-	Ø 125	C7 Bahia Curve L	15-65	18 -43 %	11017395	<b>05</b>
-	Shaftless	C5 Bahia Curve S	15-40	26 -51 %	11017396	<b>05</b>
-	Shaftless	C6 Bahia Curve L	15-56	25 -45 %	11017397	<b>05</b>
-	Shaftless	C7 Bahia Curve L	15-65	18 -43 %	11017398	<b>05</b>
<b>Commercial: WC</b>						
PUSH	Ø 125	W13 Bahia Curve S	5	-	11015470	<b>05</b>
	Ø 80	W13 Bahia Curve S	5	-	11015471	<b>05</b>
PRES	Ø 125	W13 Bahia Curve S	5	-	11015474	<b>05</b>
	Ø 80	W13 Bahia Curve S	5	-	11015475	<b>05</b>



### Bahia Curve terminals kits for Optiflex



BAHIA Curve Bathroom kit



BAHIA Curve PUSH Kitchen kit

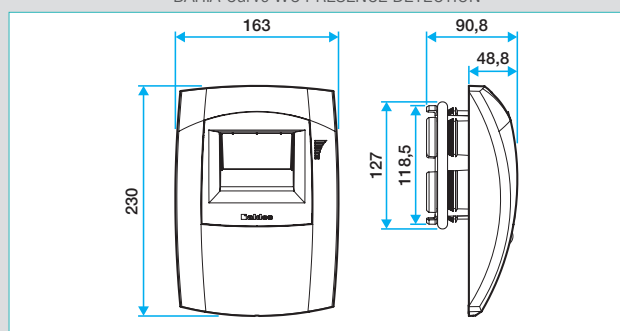
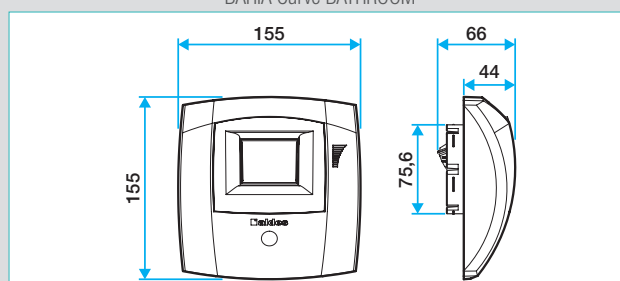
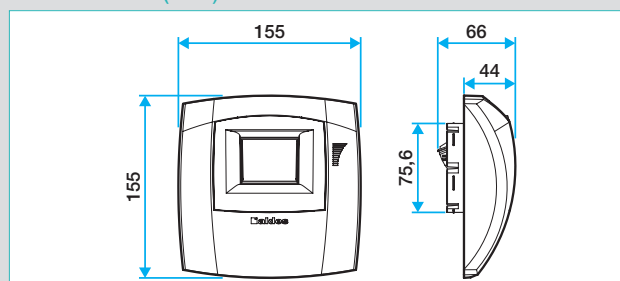
#### RANGE (2<sup>nd</sup> trimester 2018)

Designation	References	Discount family
BAHIA CURVE PUSH KITCHEN KIT Ø125	11033671	01
BAHIA CURVE BATHROOM KIT Ø80	11033667	01
BAHIA CURVE WC PRES KIT Ø80	11033668	01
BAHIA CURVE BATHROOM/WC 1 TO 4 ROOMS KIT Ø80	11033669	01
BAHIA CURVE BATHROOM/WC 5 TO 6 ROOMS KIT Ø80	11033670	01

#### DESCRIPTION

- Used to connect an additional bath./WC to EasyHOME with Ø90 Optiflex duct.
- Bathroom/WC Kit including a BAHIA Curve humidity-controlled exhaust terminal, a sleeve Ø80 and an Optiflex Easy-clip system (connection and fixing collar).
- Kitchen Kit including a BAHIA Curve humidity-controlled exhaust terminal, a sleeve Ø125, a Y-piece Ø125 for 2 ducts Ø90 and Optiflex Easy-clip system (connection and fixing collar).
- PUSH kitchen terminal controlled by push button (not supplied).
- PUSH kitchen terminal and WC PRES terminal powered by battery (Alkaline 9V - LR61 - not supplied).

#### DIMENSIONS (mm)



#### BAHIA CURVE TERMINALS KITS COMPOSITION FOR OPTIFLEX

References	Designation	KIT BAHIA CURVE PUSH KITCHEN Ø125	Kit BAHIA CURVE BATHROOM Ø80	Kit BAHIA CURVE WC PRES Ø80	KIT BAHIA CURVE BATHROOM/WC 1 TO 4 ROOMS Ø80	KIT BAHIA CURVE BATHROOM/WC 5 TO 6 ROOMS Ø80
Kit References		11033671	11033667	11033668	11033669	11033670
11091988	OPTIFLEX FLEXIBLE CONNECTION EASYCLIP Ø90	2	1	1	1	1
11091989	OPTIFLEX STRAIGHT CONNECTION EASYCLIP Ø90	2	1	1	1	1
11091990	OPTIFLEX Y-PIECE Ø125 FOR 2 DUCTS Ø90	2				
11091991	OPTIFLEX FLEXIBLE CONNECTION SLEEVE Ø125	1				
11022074	Trident sleeve Ø80		1	1	1	1
11015068	C21 PUSH 9V D125	1				
11015024	B21 Ø80		1			
11015475	W13 PRES Ø80			1		
11015144	BW21 PRES Ø80				1	
11015146	BW22 PRES Ø80					1



### Bahia Curve terminals kits for Algaine



Kit BAHIA Curve Bain



Kit BAHIA Curve WC PRESENCE

#### RANGE

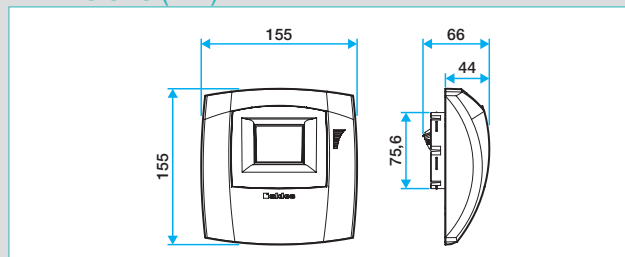
Designation	References	Discount family
BAHIA Curve KITCHEN PUSH kit Ø 125 mm	11033666	1
BAHIA Curve BATH CELLAR* kit Ø 80 mm	11033663	1
BAHIA Curve WC PRES kit Ø 80 mm	11033661	1
BAHIA Curve BATH/WC PRES 1-4 rooms kit Ø80 mm	11033664	1
BAHIA Curve BATH/WC PRES 5-6 rooms Ø 80 mm	11033665	1

#### DESCRIPTION

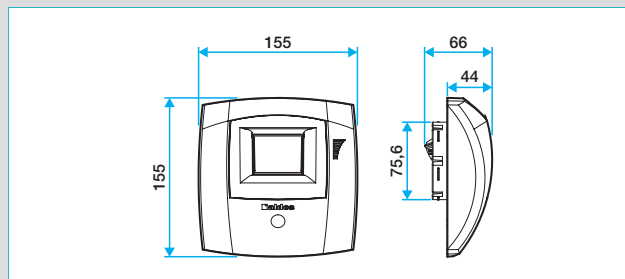
- Used to connect an additional bath./WC to a BAHIA kit.
- Kit including a BAHIA Curve humidity-controlled exhaust terminal, a sleeve and an Easy-clip system (connection and fixing collar).
- PUSH kitchen terminal controlled by push button (not supplied).
- PUSH kitchen terminal and WC PRES terminal powered by battery (Alkaline 9V - LR61 - not supplied).

\*Cellar: room with water source excluding kitchen and WC, without bath or shower.

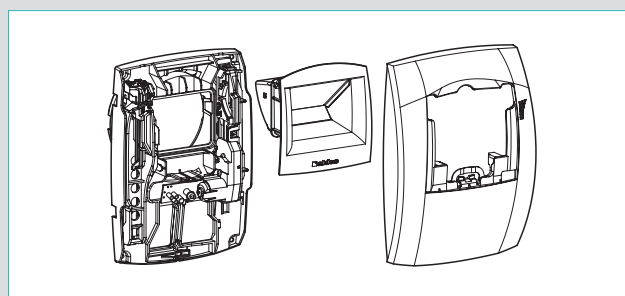
#### DIMENSIONS (MM)



BAHIA Curve BATHROOM AND CELLAR



BAHIA Curve WC PRESENCE



BAHIA Curve KITCHEN

#### BAHIA CURVE TERMINALS KITS COMPOSITION FOR ALGAINÉ

Designation	BAHIA KITCHEN PUSH kit for 1 kitchen	BAHIA BATHROOM/CELLAR kit for 1 bathroom	BAHIA WC PRESS KIT FOR 1 WC	BAHIA Curve BATH/WC PRES 1-4 rooms kit	BAHIA Curve BATH/WC PRES 5-6 rooms
<b>Kit References</b>	<b>11033666</b>	<b>11033663</b>	<b>11033661</b>	<b>11033664</b>	<b>11033665</b>
Connection + Easy-clip fixing collar Ø 125 mm	1				
Sleeve Ø 125 mm	1				
Connection + Easy-clip fixing collar Ø 80 mm		1	1	1	1
Sleeve Ø 80 mm		1	1	1	1
C21 PUSH Ø 125 mm	1				
B21 Ø 80 mm		1			
W13 PRES Ø 80 mm			1		
BW21 PRES Ø 80 mm				1	
BW22 PRES Ø 80 mm					1

\*Cellar: room with water source excluding kitchen and WC, without bath or shower.



# Accessories for Bap'SI, Bap'SI Twin, Bahia Curve



Shaft



Retrofit plate

## ADVANTAGES

- Enable the installation of terminals in all configurations, whether in new or existing buildings.

## RANGE

Designation	References	Discount family	Pack. 1
Shaft Ø 125 mm	11019023	<b>03</b>	10
Shaft Ø 116	11019024	<b>03</b>	10
Shaft Ø 100	11019025	<b>03</b>	10
Claw-fit retrofit plate	11019050	<b>03</b>	10
Screw-fit retrofit plate	11019054	<b>03</b>	33
Blanking plate 180 x 280 mm	11034108	<b>03</b>	65
Bahia shaft Ø 80/125 mm	11015017	<b>05</b>	25
Bahia shaft Ø 80/100 mm	11015274	<b>05</b>	30
Acoustic ring	11019429	<b>03</b>	5
Pull cord return for ceiling-mounted unit	11015001	<b>03</b>	2000
Adapter plate 125/150	11018056	<b>03</b>	100

## DESCRIPTION

### Shaft

- Ø 125 and Ø 116 shafts (Roll-In seal), Ø 100 (foam seal).
- Clipped onto shaftless terminal, for connection to existing duct Ø 125, Ø 116, Ø 100 mm.
- Compatible with Bap'SI, Bap'SI twin, Bahia Curve
- Ø 80/100 and Ø 80/125 (lip seal).
- Clipped on to Bahia Curve for connection to existing duct Ø 100 and Ø 125 mm.
- Compatible with Bahia Curve.

### Foam airtight seal.

- Ensures air tightness when the shaftless terminal is screwed directly on to the wall.
- Positioned on the rear of the terminal in the dedicated slot.
- Compatible with Bap'SI, Bap'SI twin, Bahia Curve

### Retrofit plate.

- Used to install the shaftless grille on a distorted sleeve, shunt duct or another shaft diameter.
- 2 types of connection:
  - Screw-in for Bap'SI, Bap'SI twin, Bahia Curve,
  - Claw-fit for Bap'SI, Bahia Curve.

### Blanking plate

- To be screwed on in place of an old terminal that is not replaced, to cover the hole left behind.

### Adapter plate 150/125

- Used to fit a Ø 125 single-airflow terminal in a Ø 150 opening.
- Compatible with Bap'SI single-airflow, Bahia Curve S. For Bap'SI dual-airflow and Bahia Curve L, use the retrofit plate in priority.

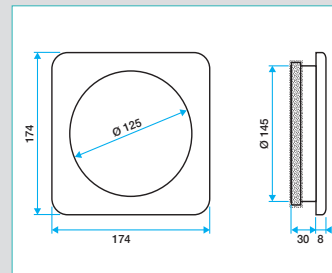
### Soundproofing ring

- Placed in the Ø 125 duct just behind the terminal, used to improve the sound-proofing between 2 dwellings. It is recommended for use in open-plan kitchens.
- Compatible with Bap'SI, Bap'SI twin, Bahia Curve.

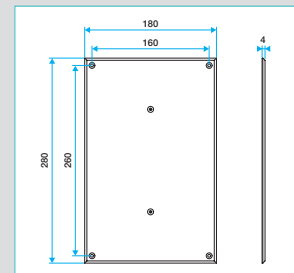
### Cord return

- Guides the pull cord to the wall when the dual airflow terminal is ceiling-mounted.
- Compatible with Bap'SI, Bahia Curve.

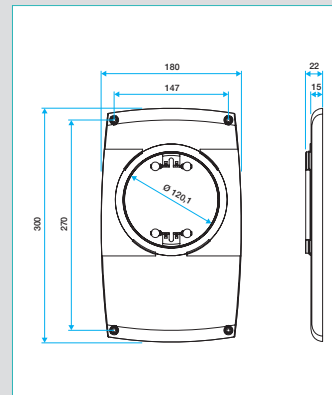
## DIMENSIONS (MM)



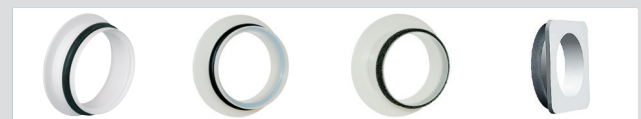
Retrofit plate



Blanking Plate



Adapter plate 150/125



Shaft Ø 125  
ref 11019023

Shaft Ø 116  
ref 11019024

Shaft Ø 100  
ref 11019025

Adapter plate  
125/150  
ref 11018056



Claw-fit panel  
ref 11019050

Screw-fit panel  
ref 11019054

Blanking Plate  
ref 11034108

Air tightness seal  
ref 11019049



Shaft Ø 80/125  
ref 11015017

Shaft Ø 80/100  
ref 11015274

Acoustic ring  
ref 11019429

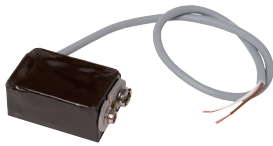
Cord return  
ref 11015001

# Grilles and terminals

## Grilles: accessories



# Electrical accessories for Bap'Si, Bahia Curve



Interface 9 V DC - 230 V AC



CAL



Push button

### ADVANTAGES

- Interface 9 V DC - 230 V AC used to connect a Bap'Si or Bahia Curve terminal directly to 230 V mains power supply.

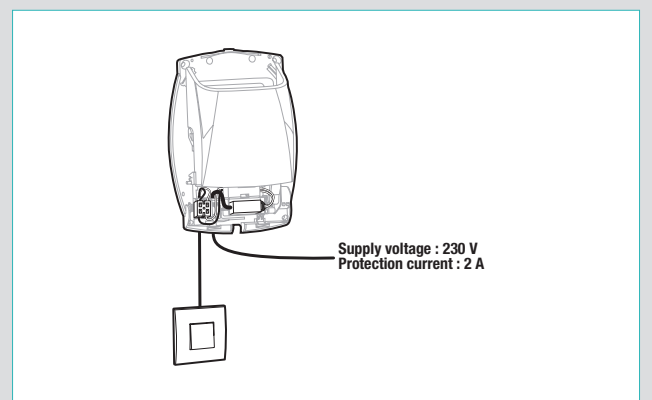
### RANGE

Designation	References	Discount family	Pack. 1
Push button	11026011	<b>01</b>	84
Interface 9V DC - 230V AC	11015280	<b>05</b>	250
CAL BAHIA 12V AC-8V DC	11015275	<b>05</b>	100
Interface 230V AC / 9V DC Bap'Si	11907928	<b>05</b>	150

### DESCRIPTION

- The electric Bap'Si and Bahia versions can be powered in 2 ways:
  - **PRES, PUSH (with pushing button)**: For 9V alkaline battery type (to be ordered separately). Simply clip the battery on the case of the terminal.
  - **PRES, PUSH (with pushing button or On/off switch) and IR**: via 9V-230V interface. Like a battery, it fits to the terminal and simply clips on its case. The terminal is connected directly to 230 VAC.
- Pushing button: a single pulse triggers the peak flow for 30 minutes.
- Caution: comply with current installation standards.

### DIMENSIONS - INSTALLATION



# Sleeve



### RANGE

Designation	Ø (mm)	H	References	Discount family
Metal sleeve	Ø 80	100	11012490	<b>03</b>
Metal sleeve	Ø 100	75	11012256	<b>03</b>
Metal sleeve 3 brackets	Ø 100	75	11012253	<b>03</b>
Metal sleeve with shoulder	Ø 125	60	11012220	<b>03</b>
Male sleeve Ø 124	Ø 125	40	11012250	<b>03</b>
Metal sleeve with shoulder 3 brackets	Ø 125	125	11012252	<b>03</b>
Metal sleeve 3 brackets	Ø 160	160	11012254	<b>03</b>
Lock washer Ø 125 mm	Ø 125	-	11087043	<b>01</b>

### DESCRIPTION

- Sleeve made of galvanised steel.
- Brackets on sleeves enable installation in suspended ceilings.

### APPLICATIONS

Ø (mm)	Specificity	Code	BAP	TDA	MRA	BIM 300	BIM 320	BEM 780
Ø 100	H 75	11012256	X			X	X	X
Ø 100	H 75 clamps	11012253	X			X	X	X
Ø 125	H 60	11012220	X	X	X	X	X	
Ø 125	H 125 clamps	11012252	X	X	X	X	X	
Ø 125	H 40 male	11012250	X					
Ø 160	H 160 clamps	11012254				X	X	X

Ø (mm)	Specificity	Code	BIP	BIO	Bap'si	BAHIA CURVE
Ø 80	H 100	11012490	X	X		X
Ø 100	H 75	11012256			X	
	H 75 clamps	11012253			X	
Ø 125	H 60	11012220	X		X	X
	H 125 clamps	11012252	X		X	X
	Male Ø 124 H 40	11012250			X	