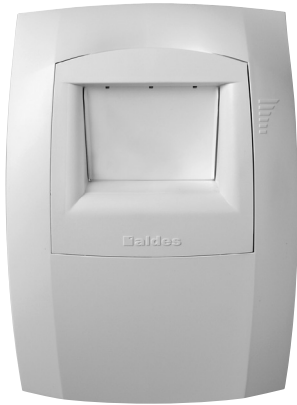


Bahia CURVE BUS kitchen



DESCRIPTION

- Humidity-controlled kitchen grille suitable for Aldes residential HRV units (Modulo, Dee Fly Cube, etc.).
- Bahia Curve L grille, model C13.
- Control addition airflow in kitchen and Boost airflow.
- Features a Ø125 mm barrel with Roll-In seal.
- Pressure range: 80-160 Pa.

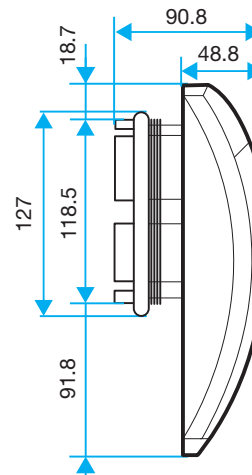
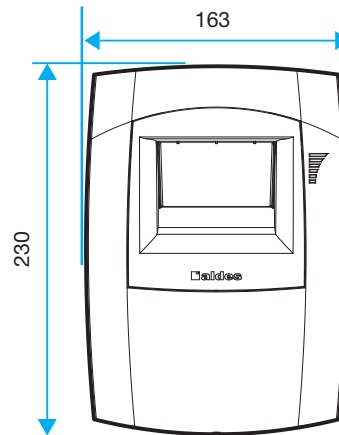
INSTALLATION

- Fixed in place by slotting into a sleeve. Leak tightness and attachment to wall or ceiling guaranteed by Roll-In seal.
- BUS electrical connection to HRV unit (control and power supply).
- Possible to connect to kitchen push-button for local control.

RANGE

Reference	Code
Bahia Curve grille BUS C13 Kitchen	11015490

DIMENSIONS (mm)



AEREAULIC DETAILS

	Min. airflow (m ³ /h)	% RH	Boost airflow (m ³ /h)
C13 CURVE BUS	20-60	36-76%	135

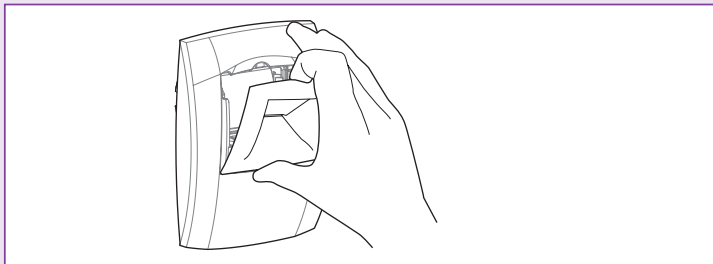
Installation

OPERATION

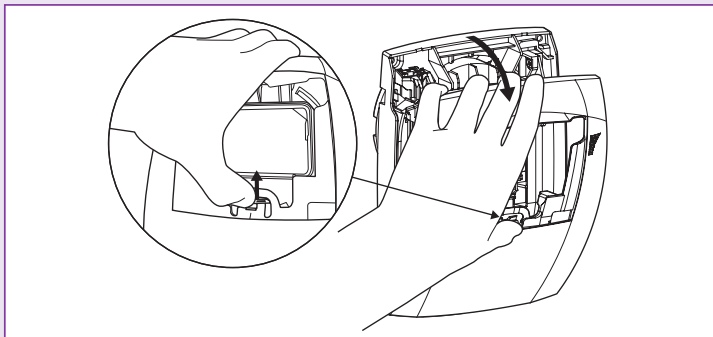
- The grille is powered by the BUS.
Charging time under 2 minutes after power is turned on.
- **Operation with push button:**
 - Short press on the button to activate the kitchen additional airflow, with 30 minute timer.
 - Long press on the button (over 3 seconds) to open the grille and activate Boost airflow on the HRV unit.
 - Short press again on the button to close the grille, which reverts to humidity-controlled operation.
- **Operation with integrated Cube controls or with radio HMI:**
 - The grille operates in humidity-controlled mode (damper closed) for V1 (vacation) and V2 (normal) speeds.
 - The damper opens for speeds V3 (Additional kitchen airflow) and V4 (Boost).
- **Operation with Modulo remote control:**
 - The grille operates in humidity-controlled mode (damper closed) for V1 (normal) speed.
 - The damper opens for speeds V2 (Additional kitchen airflow) and V3 (Boost).
- The grille operating mode, i.e. the damper position, depends on the current speed of the HRV unit. The response time is a maximum of 30 seconds.
- When the unit is started up (or after a power outage > 15 mins), press the speed control associated to the HRV unit at least once, to register the Curve BUS grille and push button control in the system.

Electrical connection

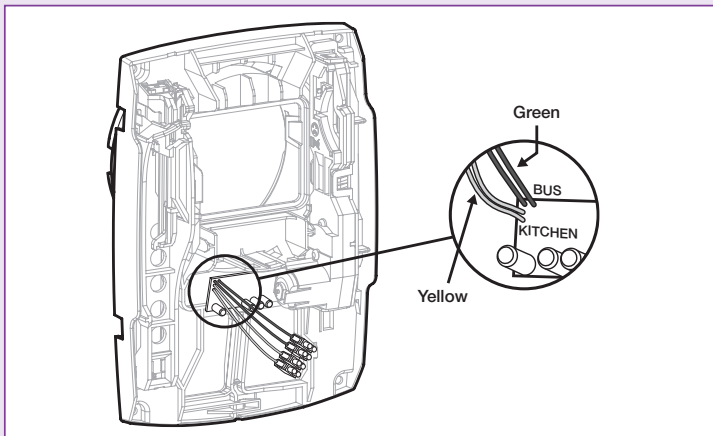
1



2



3



Wiring

4

